



# Stealthbox®

INSTALLATION GUIDE  
for the

**SBA-J-JLU-UAR**  
**SKU# 99837**  
**2018-Up Jeep Wrangler (JL) Unlimited**  
**Universal Amplifier Rack**

### ! IMPORTANT

If you choose to perform the installation yourself, it is absolutely vital that the Stealthbox® be properly mounted to the vehicle according to these instructions. Failure to mount the enclosure properly presents two problems:

- 1) The sub-bass performance will suffer due to the movement of the enclosure caused by the force exerted by the woofer(s).
- 2) A loose enclosure presents a serious safety hazard in the event of a collision or sudden deceleration.

INSTALLATION  
DIFFICULTY:

**1** OUT OF **5**

ESTIMATED TIME:  
1 HOUR

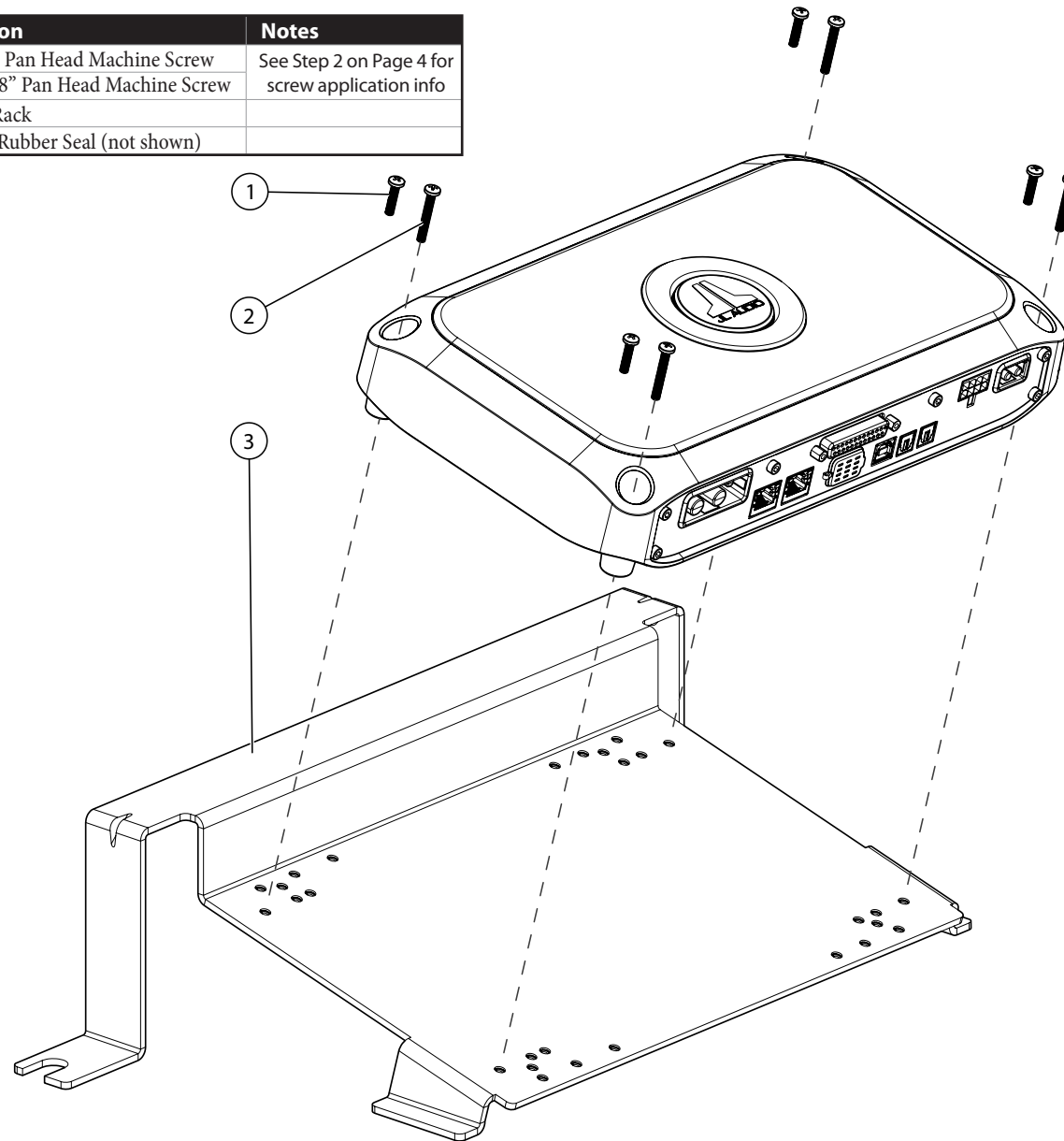
JL AUDIO  
~ STEALTHBOX ~  
**SBA**  
~ Quality & Design ~  
ACCESSORIES

*Thank you for choosing a JL Audio Stealthbox® for your automotive sound system. With proper installation, your new vehicle-specific enclosed subwoofer system will deliver years of listening pleasure.*

*We strongly recommend that you have your new Stealthbox® installed by your authorized JL Audio dealer. The installation professionals employed by your dealer have the necessary tools and experience to disassemble and reassemble your vehicle properly. If you prefer to perform your own installation, please read this installation guide completely before beginning the process.*

## INCLUDED HARDWARE

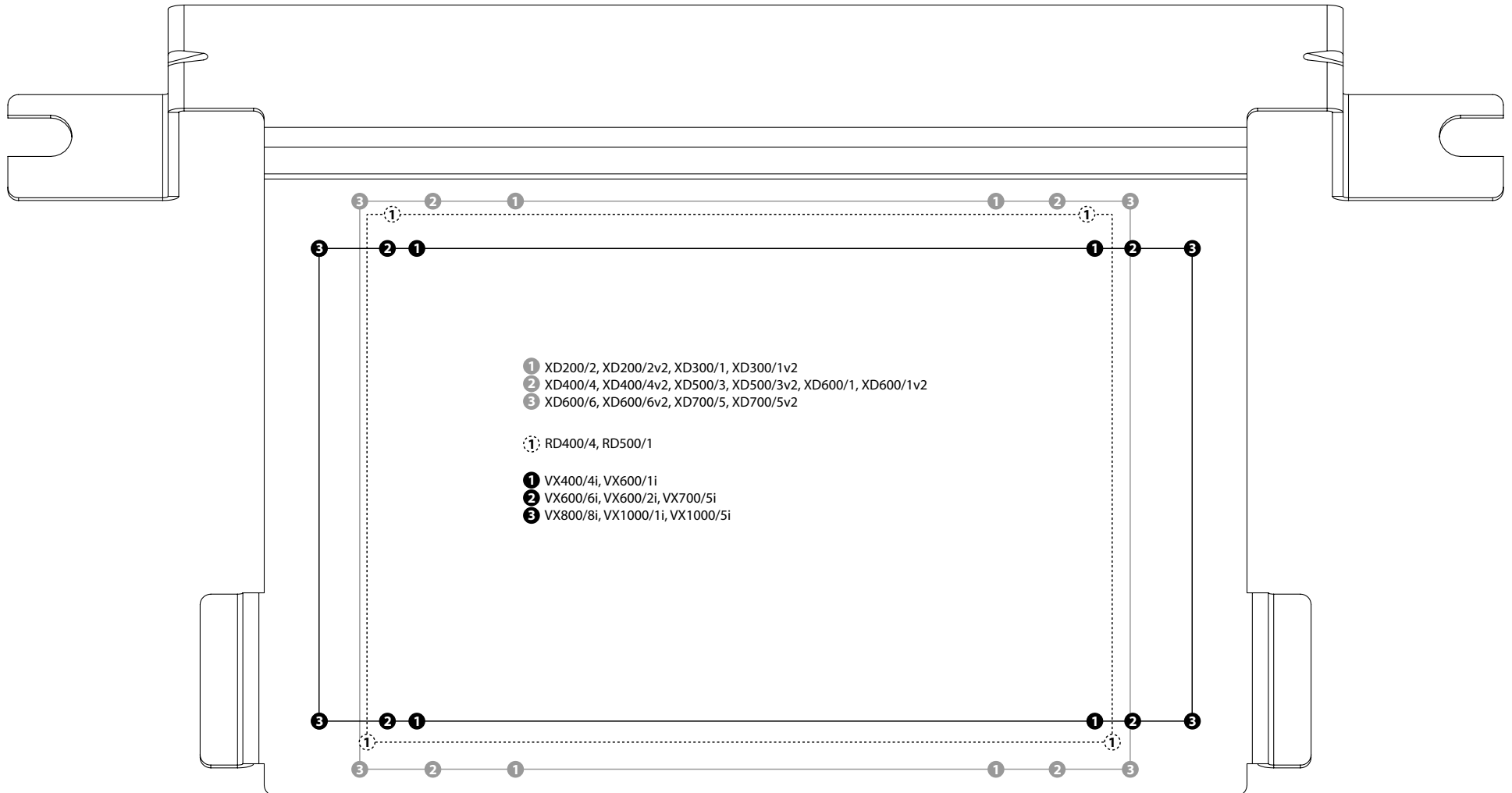
BOM ID	Qty	SKU	Description	Notes
1	4	54004	#6 - 32 x 1" Pan Head Machine Screw	See Step 2 on Page 4 for screw application info
2	4	151631	#6 - 32 x 5/8" Pan Head Machine Screw	
3	1	153974	Amplifier Rack	
-	1	154005	Trim Lock Rubber Seal (not shown)	



**NOTE: The VXi amplifier shown in this document is for illustrative purposes only. The installation procedure will be the same for all compatible amplifier models.**

## AMPLIFIER MOUNTING TEMPLATE

The SBA-J-JLU-UAR Amplifier Rack is designed to accommodate several different JL Audio amplifier models (sold separately). Use the illustration and table below to determine which mounting holes to use:



**STEP 1**

A Trim Lock Rubber Seal is included to cover the upper edge of the Amplifier Rack and prevent unwanted contact with the metal surface.

Install the Trim Lock Rubber Seal onto the Amplifier Rack by starting at one mounting flange and working it around the two corners, as shown. Cut any excess, as needed.

**STEP 2**

Reference the illustration on **Page 3** to determine the required mounting holes for the amplifier being installed. Align the amplifier to the Amplifier Rack with the connections oriented downward, and secure the amplifier using four machine screws as indicated below:

- #6 - 32 x 1" : For VXi models
- #6 - 32 x 5/8" : For XD, XDv2, and RD models

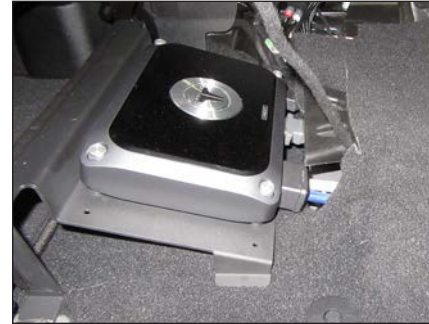
**STEP 3**

**NOTE: The following steps illustrate the Amplifier Rack installation for the passenger side. The installation procedure for the driver side will be the same.**

Remove the four seat bolts.

**STEP 4**

Tilt the seat backward, and route the amplifier cables to the underseat location.

**STEP 5**

Position the Amplifier Rack under the seat, and connect the amplifier cables to the amplifier.

**STEP 6**

Tilt the seat forward, and align the slots in the Amplifier Rack with the factory seat bolt holes.

Lower the seat back into position over the Amplifier Rack, and reinstall the four seat bolts.

**CONGRATULATIONS!**

You have completed the installation for this model! Enjoy your new Stealthbox® Accessory!

JL AUDIO® | How we play.®    

(954) 443-1100

[www.jlaudio.com](http://www.jlaudio.com)

All specifications are subject to change without notice. "JL Audio" and "How we play" are registered trademarks of JL Audio, Inc. "Ahead of the Curve" and its respective logo are trademarks of JL Audio, Inc.

Printed in USA • ©2018 JL Audio, Inc. • For more detailed information please visit us online at [www.jlaudio.com](http://www.jlaudio.com).

JLA-SKU# 011516 • ver. 01.28.2019 • 10369 NORTH COMMERCE PARKWAY • MIRAMAR, FLORIDA • 33025 • USA



\*011512\*